

Art Installations

1. General features

Objective of the tool

The tool "Art Installations" offers a selection of two installations – "umbrella.blossoms" and "cariage" – that can either be combined or used individually.

"umbrella.blossoms" mark and decorate the public space by placing colourful umbrellas, mounted onto metal poles in and around it. The installation is a transgression of a common object. By elongating the handle of the umbrella with a pole, this "ready-made" - object is alienated and, therefore, in combination with its repetitive usage throughout the space, freed of its original purpose. The installation draws attention to and makes people question the designated public space and its possibilities and, therefore, invites citizens to participate in shaping their environment.

The "cariage" is a hand cart functioning as a moveable parklet. Traditionally, a hand cart was a preindustrial tool for transporting goods on the street. This object served as a reference for the "cariage" although its purpose is to reclaim public space by providing a wooden platform on wheels. The "cariage" can be used by anyone for different kinds of activities and serves different purposes - e.g., as a stage, a sitting area or a playground. It is an easily dismantlable object, constructed of sustainable materials and designed to be easily replicated. Due to its structure, it is also possible to provide shade by mounting a big piece of fabric on the frame.

Tool type

"Art Installations" is an analogue tool that fosters different people coming together in the public space. The tool raises awareness by showcasing the different possibilities of using public spaces. Furthermore, the "cariage" can empower people to shape and appropriate space through its use.

Stage of street transformation

"Art Installations" within the tool #residentialstreetlife can raise awareness for street transformation or the potential of a place.

Both the "umbrella.blossoms" and the "cariage" can be used in the early days of a street redesign process to mark out public space and raise awareness of different ways of using the street. By demonstrating alternatives to the usual division of space and providing a space for social communication, the installations can also be used in the planning phase to test future

ideas and find collaborative solutions. The “cariage” can also be used for stakeholder meetings in the form of discussions or games. It can also serve as a stage for small music or theatre performances and host other StreetForum tools, such as the StreetForum Design Game or Storytelling Game.

Target group facilitator

Among other groups, citizens are interested in temporarily shaping their immediate environment and initiating activities in the public space. Furthermore, spatial planners, urban designers and cultural initiatives can use the tool(s) to test out different ideas on the street.

Target group user

All stakeholders involved in the process - e.g., local residents, passers-by or local officials.

Expected outcome of the tool for facilitators

“Art Installations” reactivate public space and attract people. The “cariage” also serves to open up privatised space - e.g., car parks traditionally intended for cars to the public and provide a cosy “hosting” space for other tools and meetings.

Expected outcome of the tool for users

Enjoyment, adornment, and activation of the space, making it easier to reclaim it and see it as transformable and valuable. The use of this additional public space by sitting, lying down, relaxing, playing, etc., on the “cariage”.

2. Practical requirements

Duration of the use of the tool for facilitators

“umbrella.blossoms”: Two hours to a day at a time. One set of blossoms is useable several times in different locations. The installation is not meant to be in place for longer than a day, since it needs to be checked on regularly by the facilitators due to possible environmental impacts such as strong wind.

The “cariage” can be placed in a public space for one to several days or even weeks. One “cariage” can, of course, be used several times in different locations over many years.

Duration of the tool for users

There is no time limit for users: using the tool means enjoying the newly designed space (as long as it is there) thinking about possible changes to the space and exchanging ideas with others.

The number of people needed to use the tool/run a session

"umbrella.blossoms": One or two people for installation and production

"cariage": At least two for construction and set-up

Location of the use of the tool

"Art Installations" are outdoor tools. "umbrella.blossoms" can be set up in parks or streets with green spaces, where the poles can be stuck into the ground (about 15-20 centimetres deep) or on streets with bollards, low fences or other street elements where the poles can be tied to with zip ties. The "cariage" is placed in parking lots in (residential) streets and may also be moved from one place to another. There is good experience with the combination of Art Installations and the tool #wohnstrassenleben.

Material requirements

"umbrella.blossoms"

- Umbrellas in different colours with black steel poles of a diameter of 9mm and a plastic handle that can easily be broken. The number of umbrellas depends on the dimension of the space in which the blossoms ought to be installed. However, around 50 are recommended for the usual residential street.
- The same amount of rebars of two meters in height and a diameter of 8mm.
- Small hand drill (swivel 8mm diameter/20cm length) to make holes in the ground for the poles if green spaces are available.
- Zip ties
- Working gloves

"cariage"

- 4 x square timber 54/54 mm. 2000 mm
- 4 x square timber 54/54 mm. 3000 mm
- 3 x 3-ply shuttering panels 27mm. 500/2500 mm
- 1 x 3-ply shuttering panels 27mm. 500/2500 mm
- Carriage bolt M8/100 x 12
- Carriage bolt M8/160 x 24
- Locking nut 9/28
- Flat washer M8
- Wood bolt spax t-star+ 8/14 x 16
- 4 x swivel castor with wheel brake 250 mm
- 4 x locks with key or combination

Costs of purchase or own production of the tool

Material costs: 10 EUR per “umbrella.blossoms” and 500-600 EUR for the “cariage”.

Permissions needed

In general, there are no permissions needed to install “umbrella.blossoms” for one day. The same rule applies to the “cariage”, which can be used on a (residential)street for a day without permission as long as the facilitators keep taking care of it. If one wants to set up the “cariage” for a longer period or leave it overnight, permissions from local authorities might be needed.

3. Guidelines for the application of the tool

Guidelines for facilitators

“umbrella.blossoms”:

- Construction: the plastic handle needs to be removed carefully so as not to damage the pole of the umbrella. One end of the rebar is inserted into the hollow pole of the umbrella.
- Installation: rebars are secured with zip ties on urban structures such as benches, fences or bollards or stuck into holes in the ground in green spaces.
- For visual building instructions, see “Annex: Art installation “carriage””.

“cariage”:

- The tool can be used for all kinds of activities.
- For the building instructions, see “Annex: Art installation “carriage””.

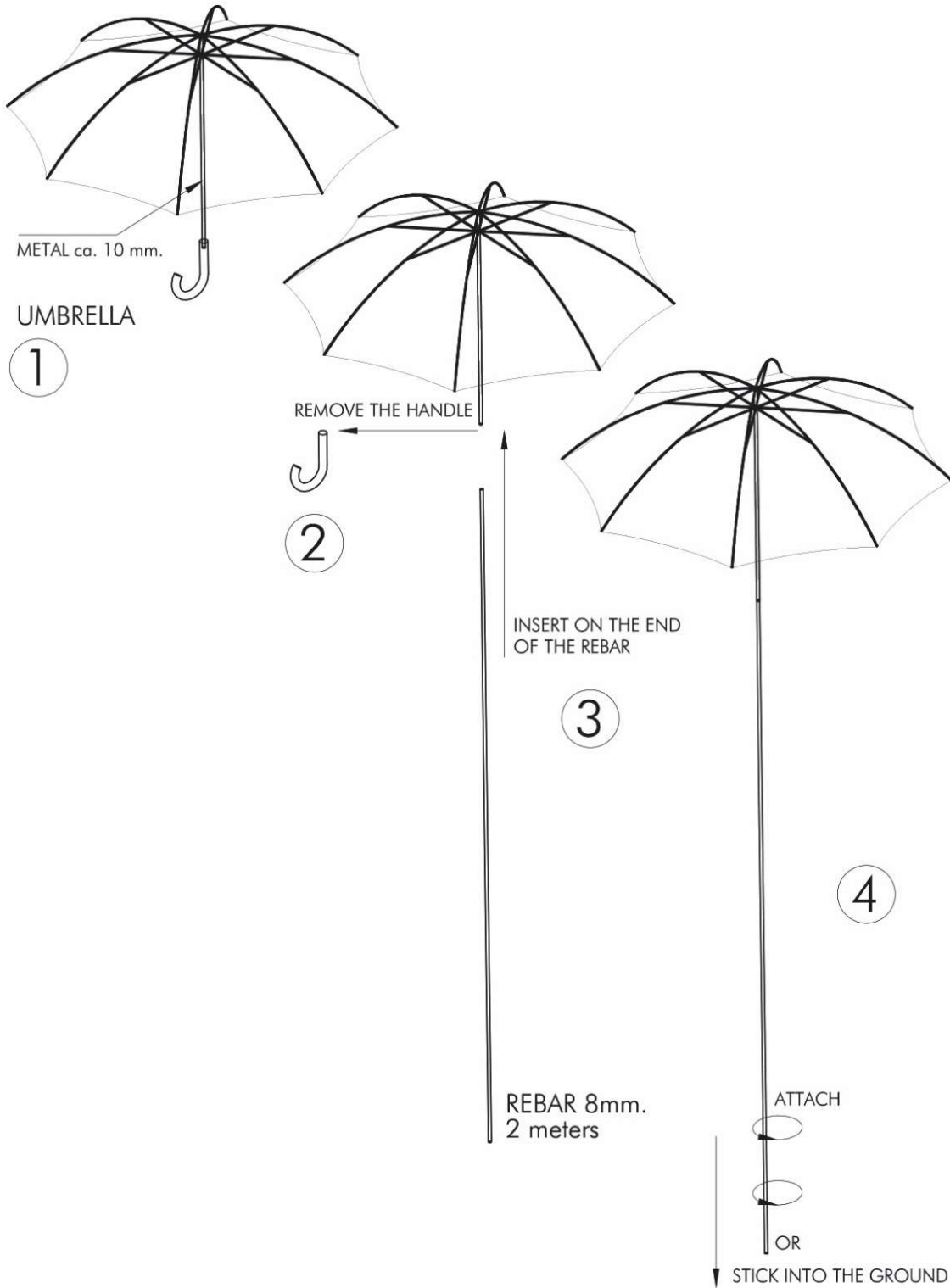
Guidelines for users

Users enjoy “Art Installations” and can use them on-site in different ways.

4. Examples

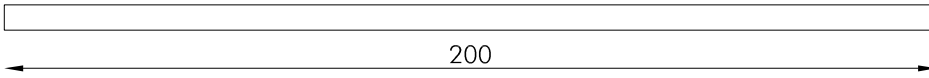




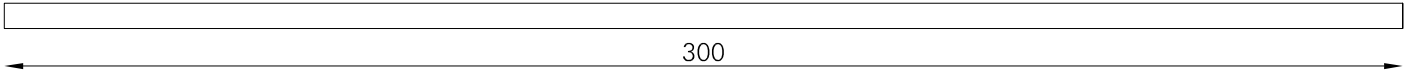


MATERIAL LIST

4 x SQUARE TIMBER 54/54 mm. 2000mm



4 x SQUARE TIMBER 54/54 mm. 3000mm



4 x 3-PLY SHUTTERING PANELS 27mm.
500/2500mm.

CARIAGE BOLT M8/100 x 32

CARIAGE BOLT M8/160 x 24

LOCKING NUT 9/28

FLAT WASHER M8

WOOD BOLT SPAX T-STAR+ 8/140 x 12

WOOD BOLT SPAX T-STAR+ 5/50 x 16

4 x SWIVEL CASTOR WITH WHEEL BRAKE D:250mm.

MATERIAL BUDGET 500/600 €

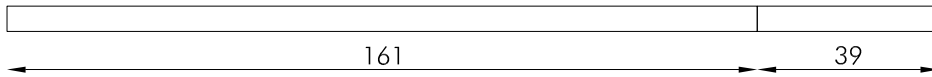
OPTION:

BEECH HALF-ROUND DOWELS 30mm. 4 x 2m.

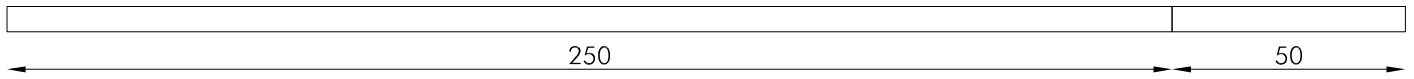
MOUNTING ON THE EDGE OF THE PLATFORM

CUTTING PLAN

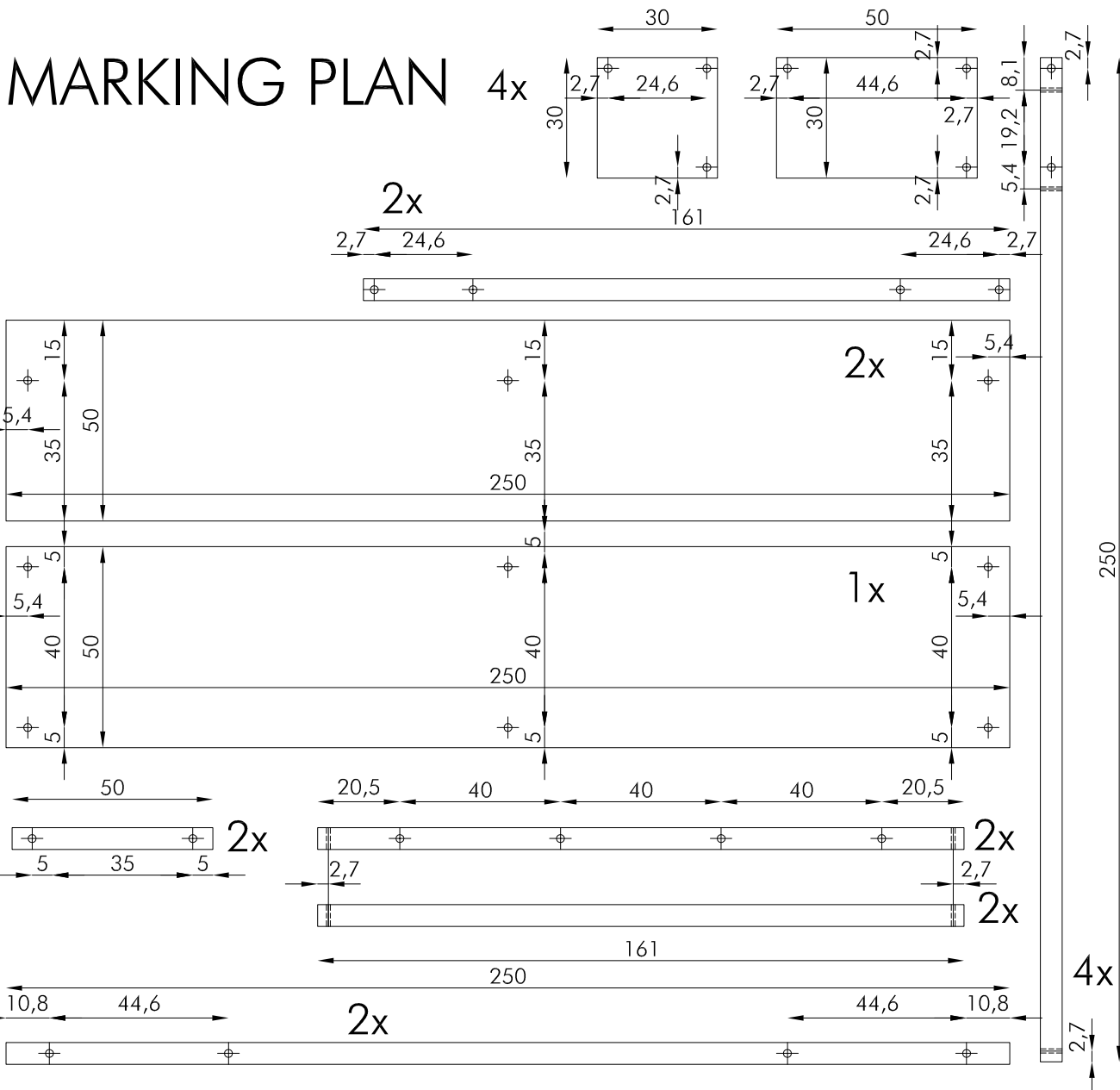
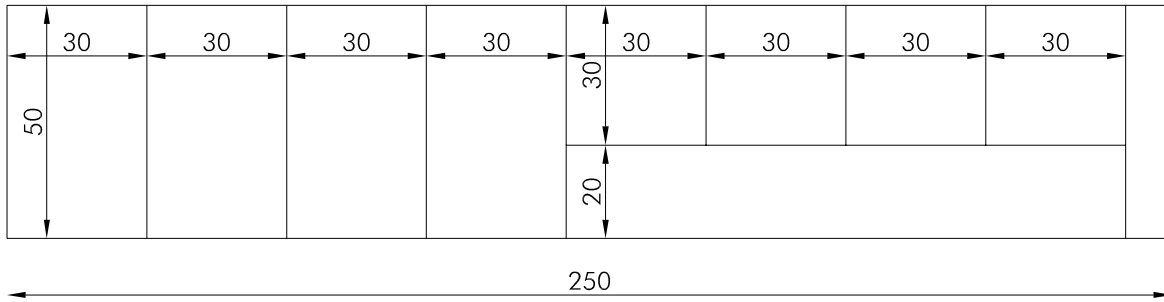
4 x SQUARE TIMBER 54/54 mm. 2000mm

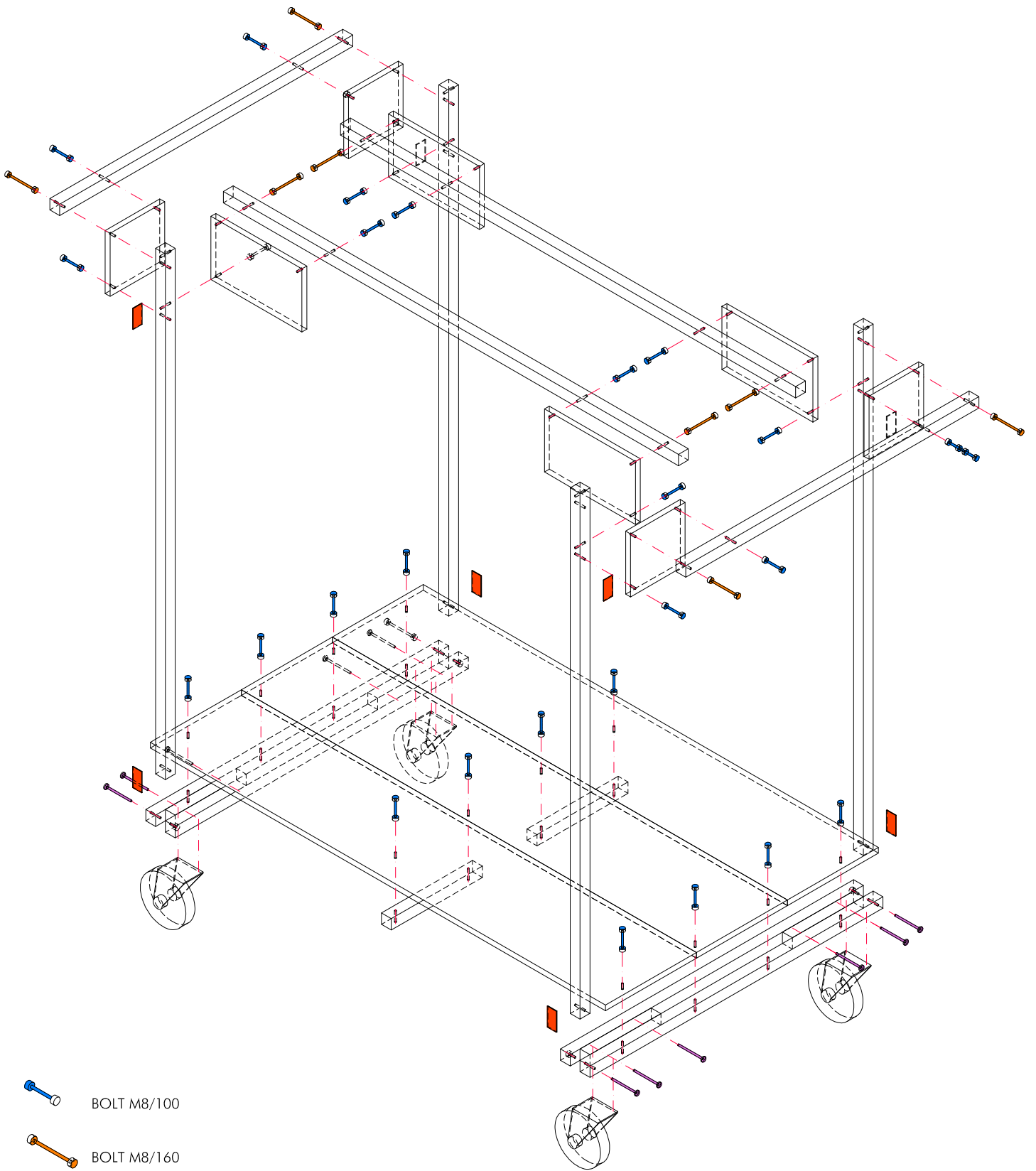






4 x SQUARE TIMBER 54/54 mm. 3000mm

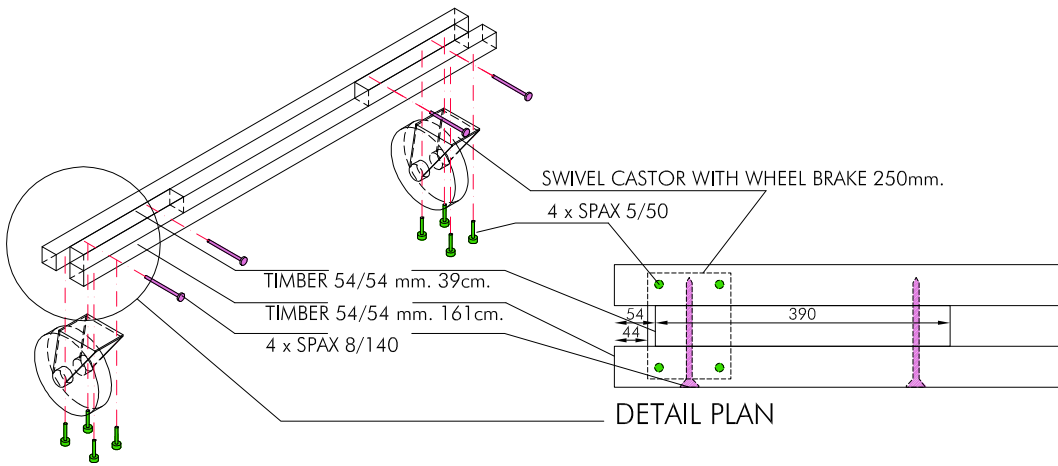


1 x 3-PLY SHUTTERINGS PANELS 27mm.

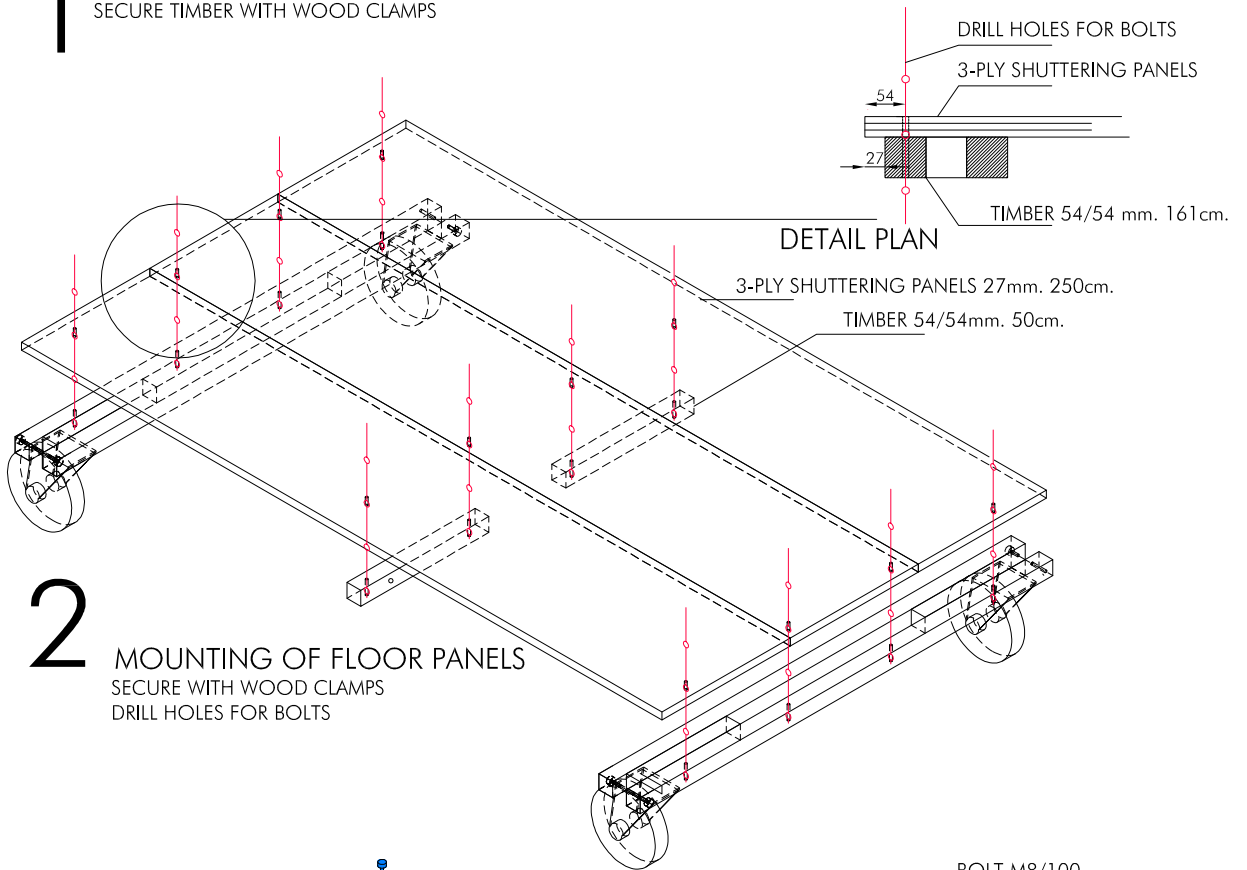




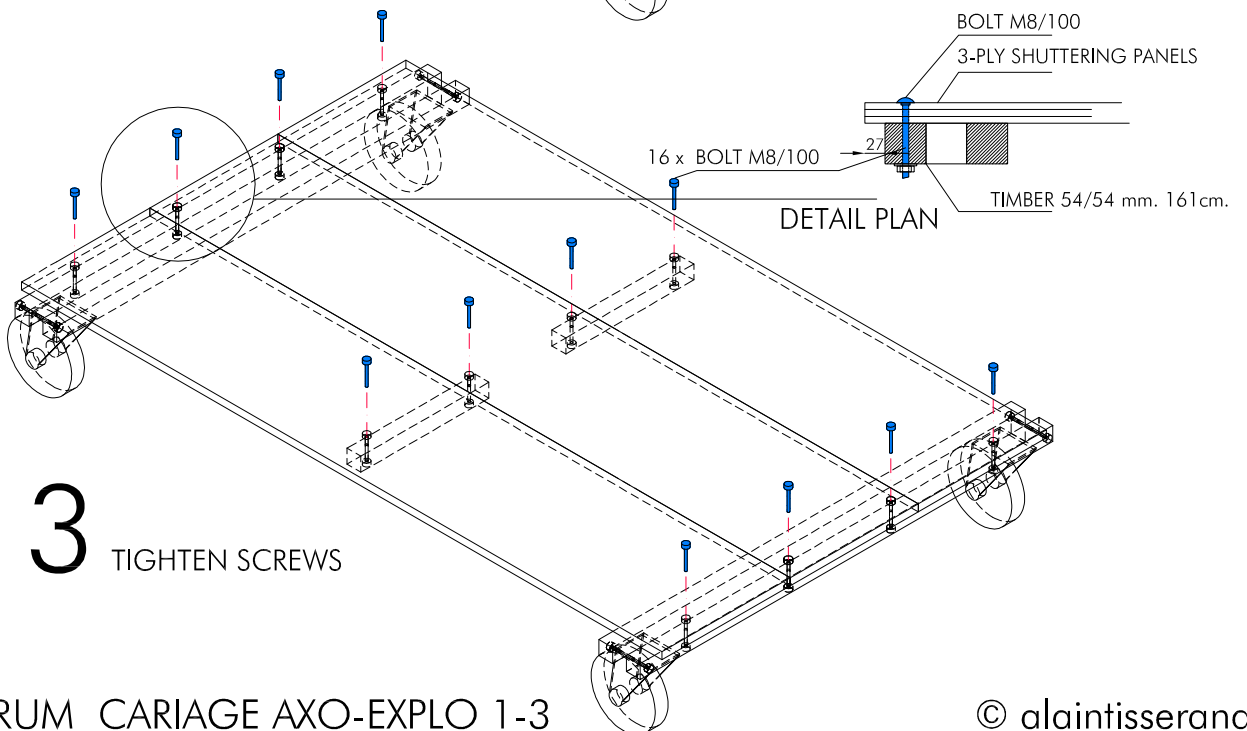
-  BOLT M8/100
-  BOLT M8/160
-  WOOD BOLT SPAX T-STAR+ 8/140
-  WOOD BOLT SPAX T-STAR+ 5/50



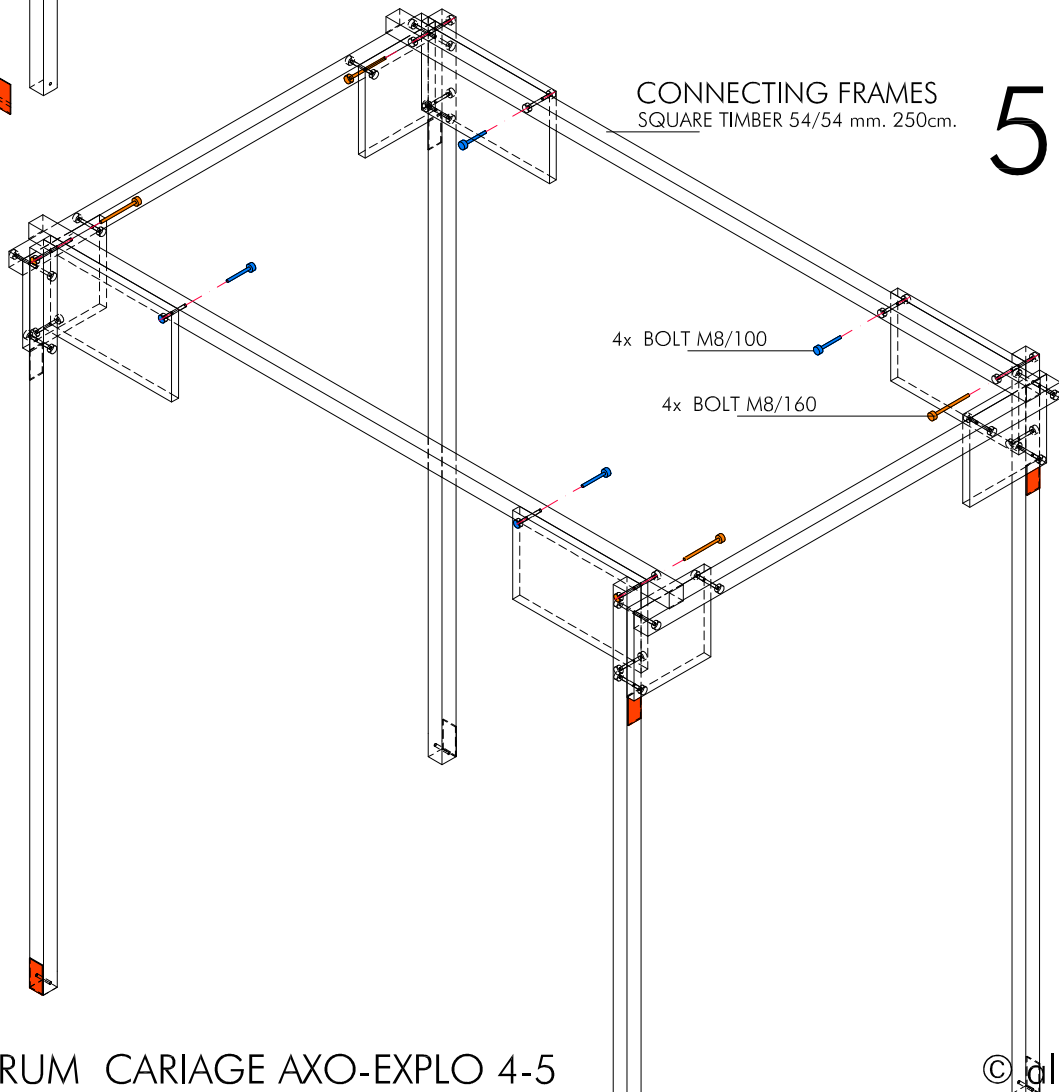
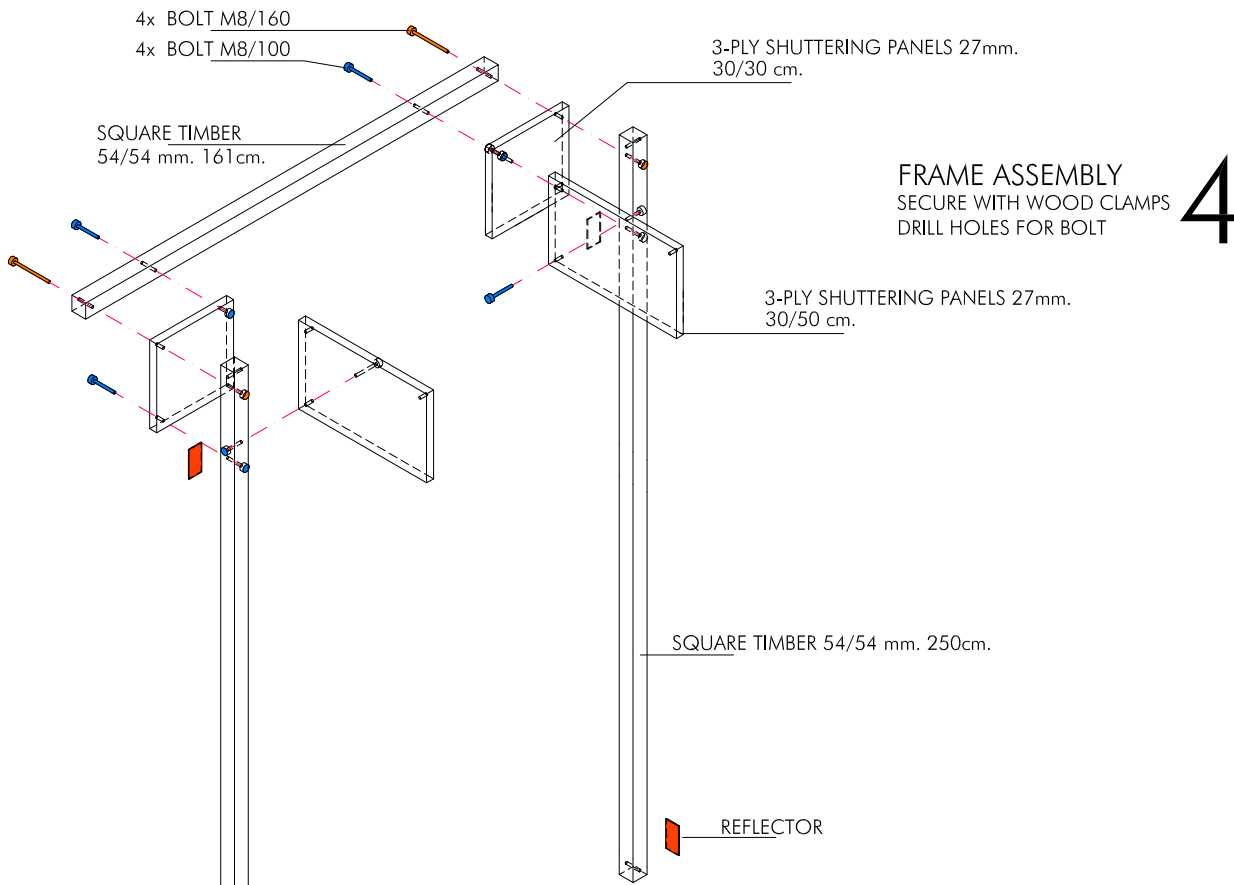
1 AXLE ASSEMBLY
 SECURE TIMBER WITH WOOD CLAMPS



2 MOUNTING OF FLOOR PANELS
 SECURE WITH WOOD CLAMPS
 DRILL HOLES FOR BOLTS

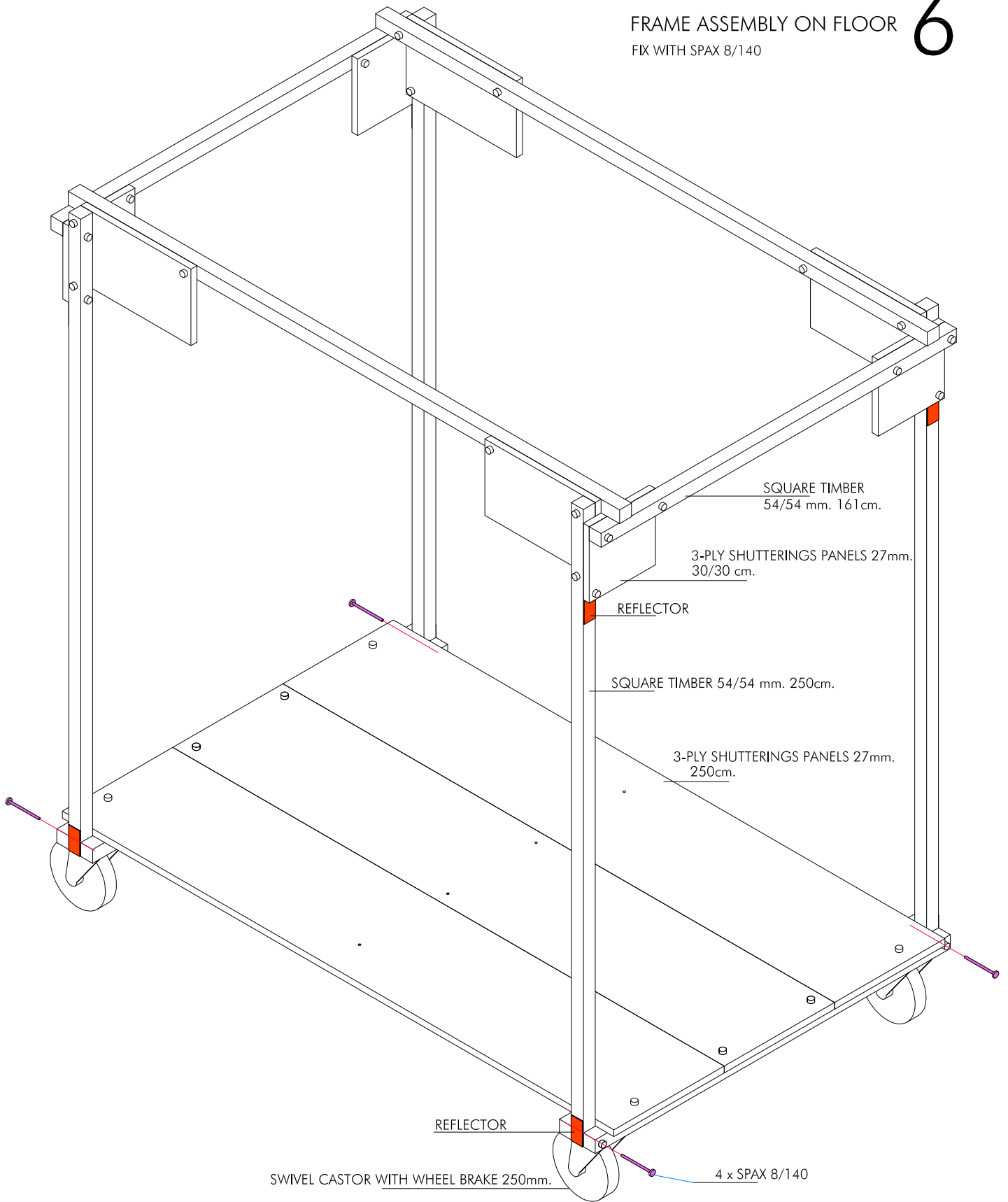


3 TIGHTEN SCREWS



FRAME ASSEMBLY ON FLOOR
FIX WITH SPAX 8/140

6



SIZE 250/162/275cm.